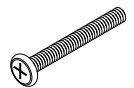
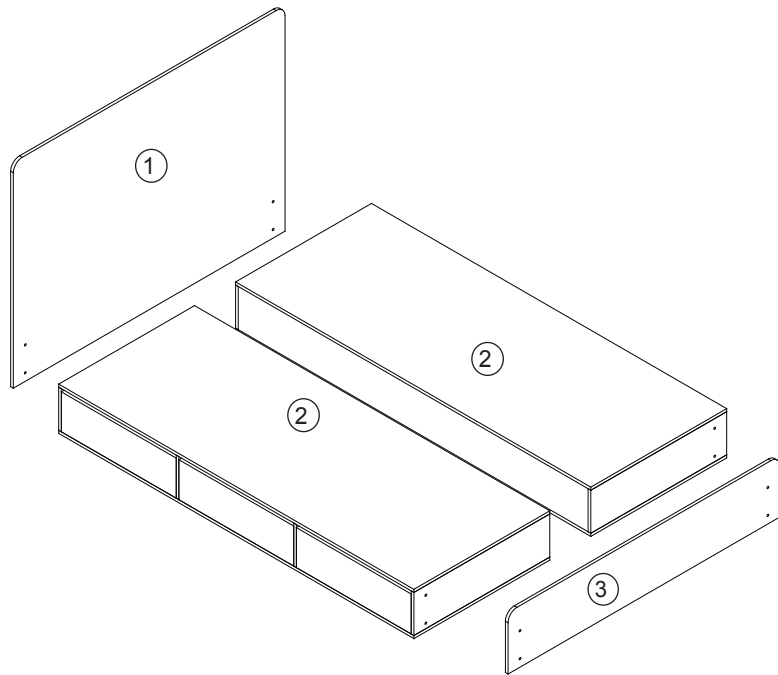
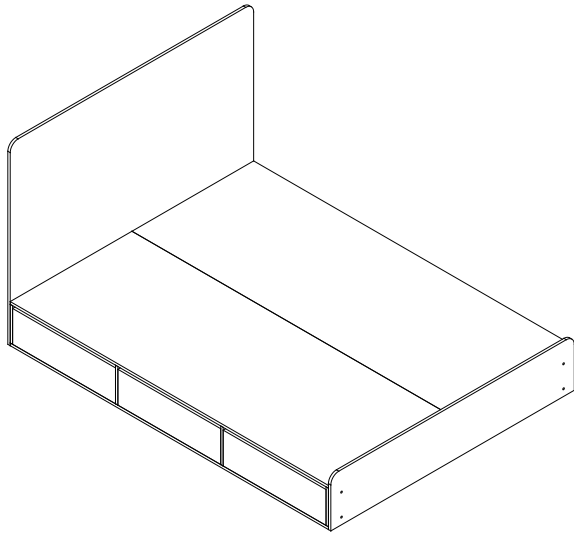


ASSEMBLY INSTRUCTION

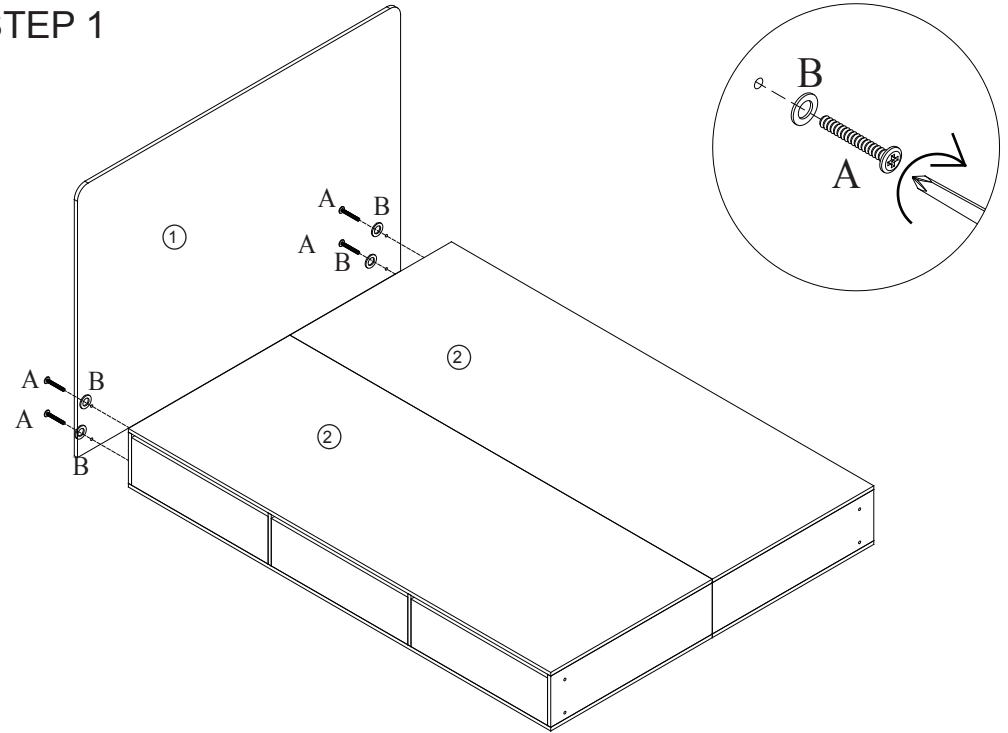


A x 8



B x 8

STEP 1



STEP 2

